

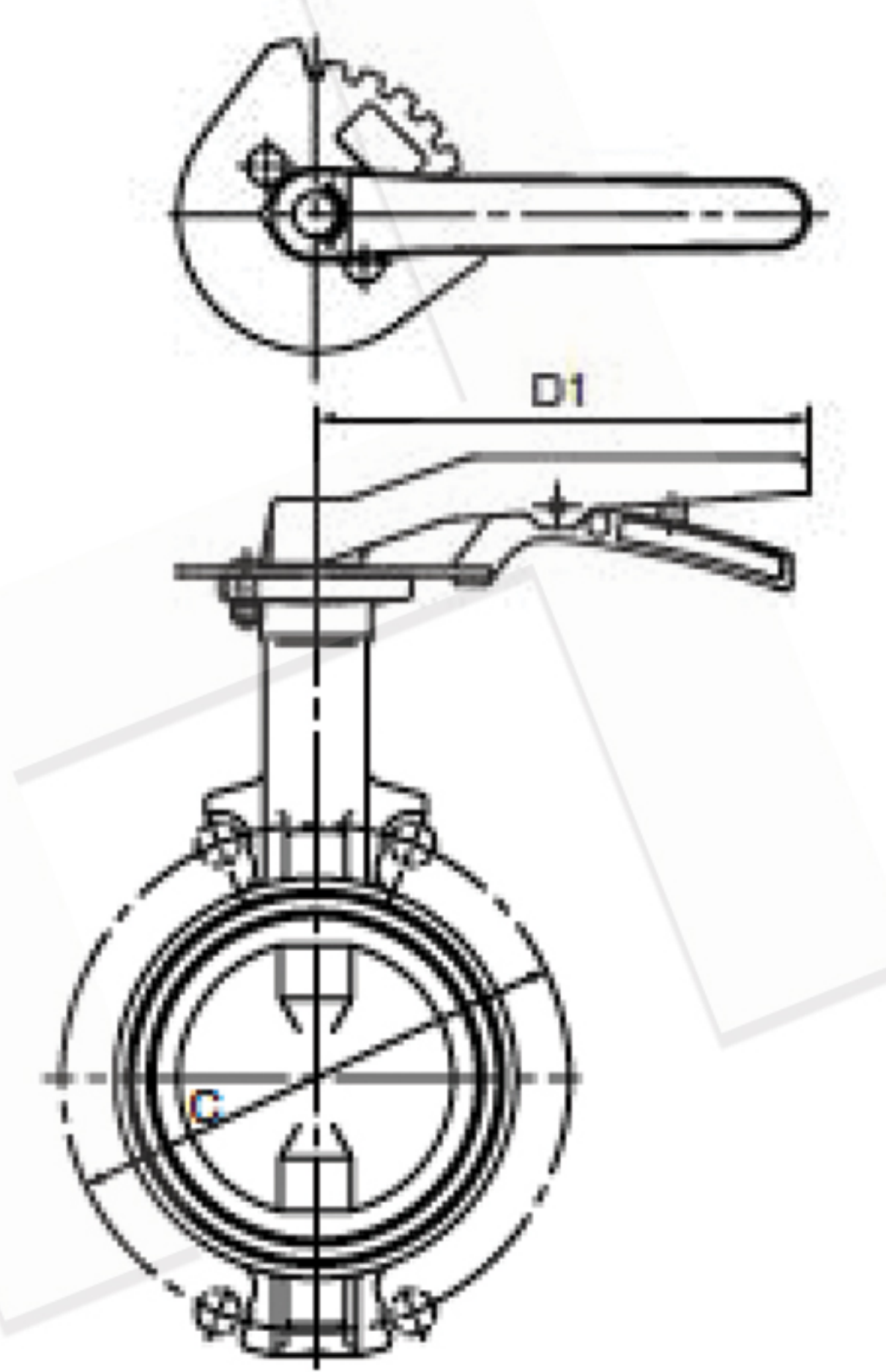
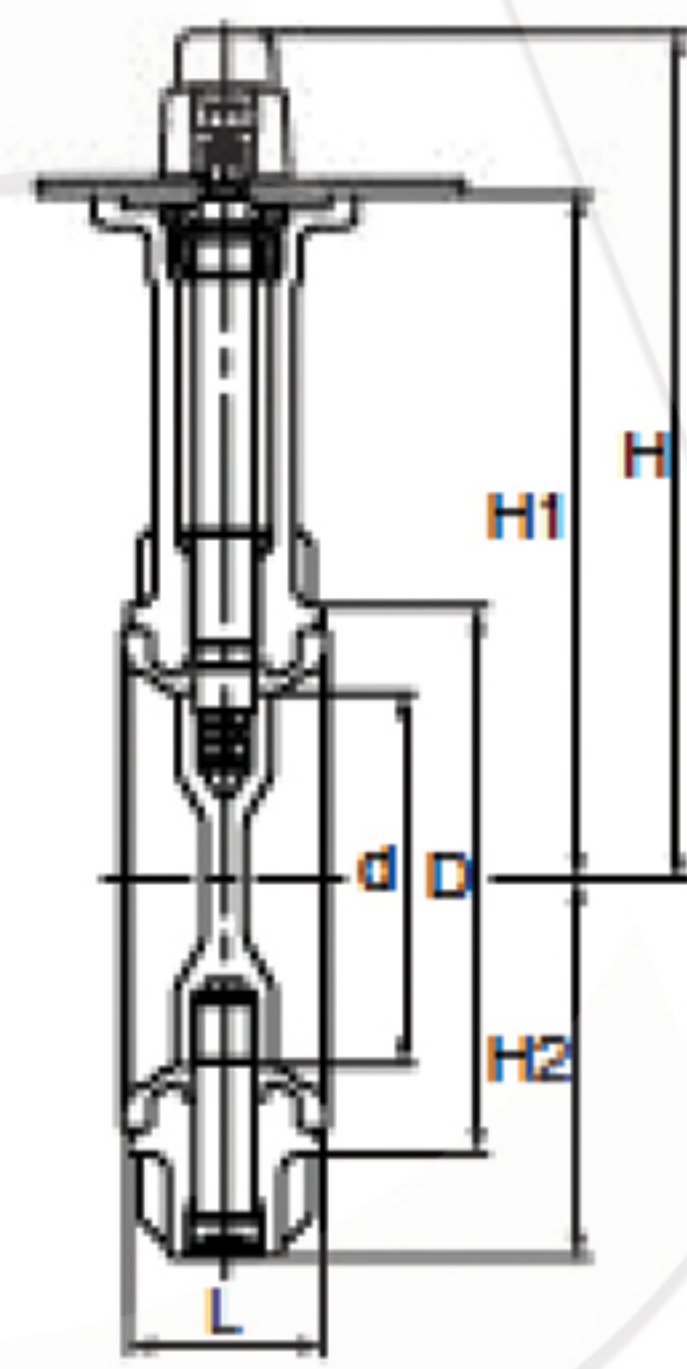
# Ductile Iron Butterfly Valves

**DJ** series

Wafer Type

JIS 10K Design - Lever Operated

## 10DJUE



### Dimensions

unit : mm

Size		d	H	H1	H2	L	D	C		D1
mm	inch							10DJ	16/20DJ	
50	2	50	191	147	67	43	90	120	120	180
65	2½	65	199	155	75	46	104	140	140	180
80	3	80	217	173	91	46	124	150	160	180
100	4	100	227	183	101	52	146	175	185	180
125	5	125	265	211	127	56	176	210	225	230
150	6	150	277	223	139	56	205	240	260	230
200	8	197	295	248	169	60	257	290	305	350

□Disc and seat material coding.